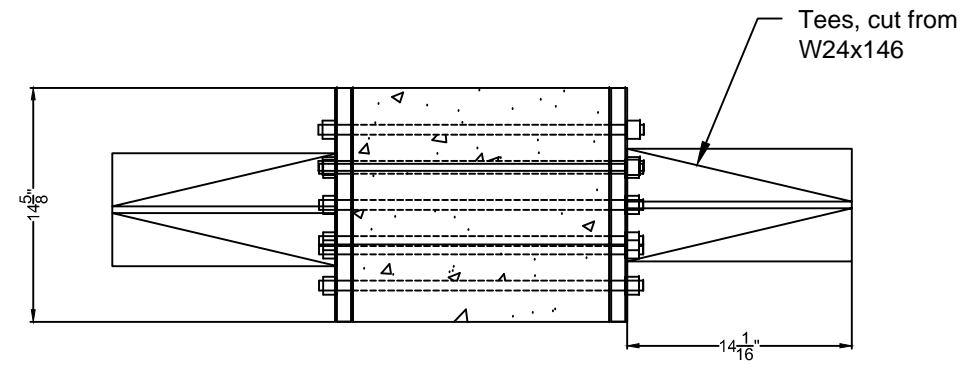
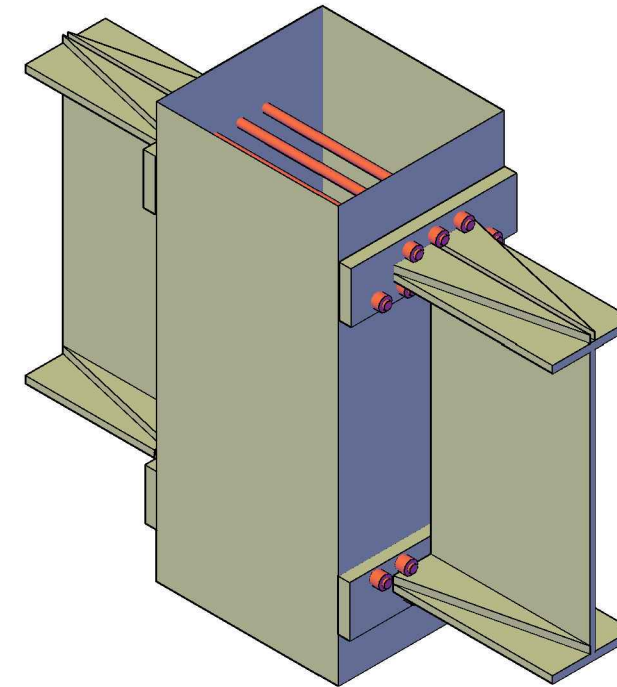


Top View

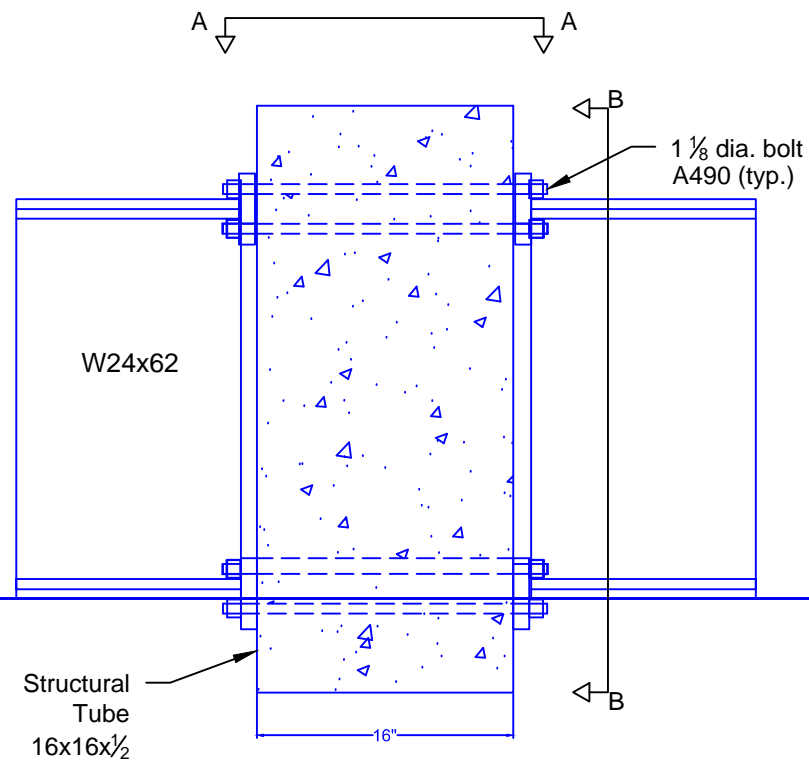


Section A-A

3D View

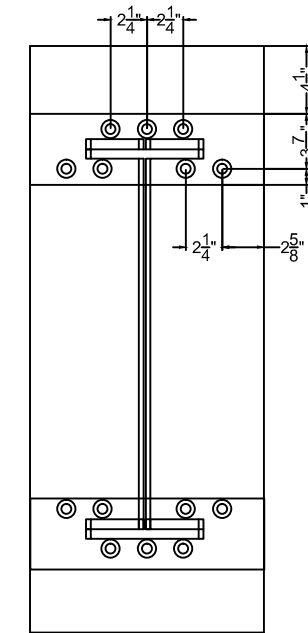


Front View



End View

Section B-B



Section B-B  
(washer plates not shown for clarity)

PRODUCED BY AN AUTODESK EDUCATIONAL PRODUCT

PRODUCED BY AN AUTODESK EDUCATIONAL PRODUCT

Digital School

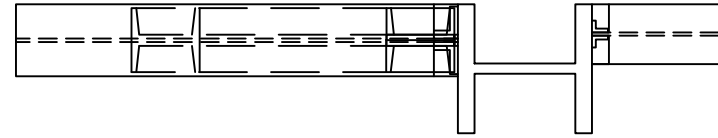
PROJECT: Structural Asg  
TITLE: Structural Split Tee

DRAWN BY: David Tang  
CHECKED BY: Dr. Amir  
DATE: 18/01/11  
SCALE: 1" = 1'-0"

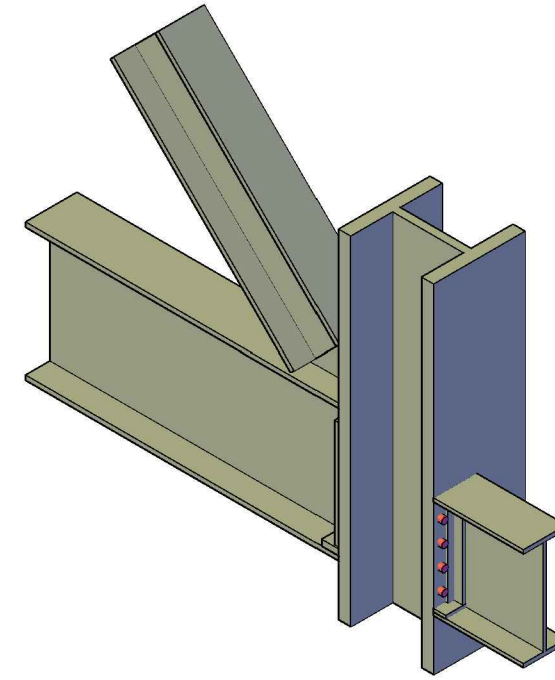
COURSE: ECT 320  
INSTRUCTOR: Dr. Amir  
REVISION: A  
SHEET: 1 OF 4

A

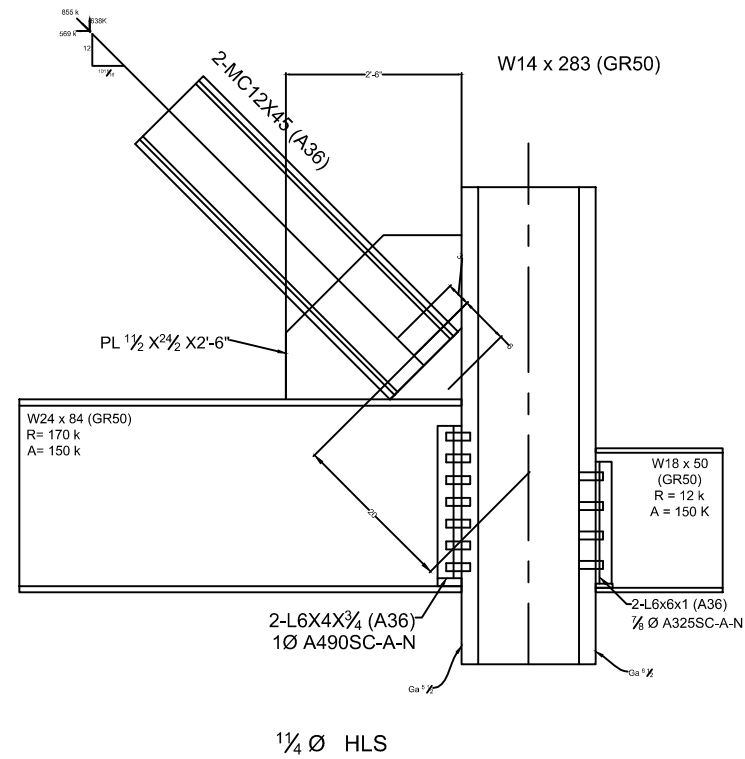
Top View



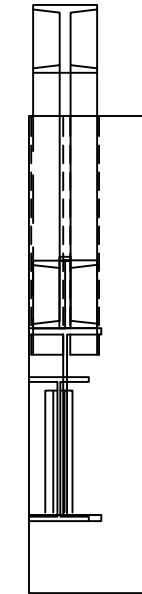
3D View



Front View



End View



Digital School

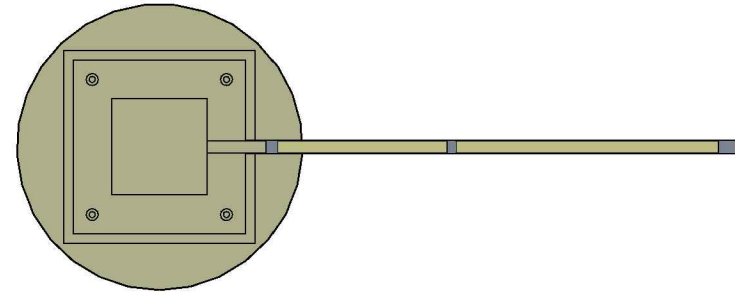
PROJECT: Structural Asg  
TITLE: Bracing

DRAWN BY: David Tang  
CHECKED BY: Dr. Amir  
DATE: 18/01/10  
SCALE: 1/2" = 1'-0"

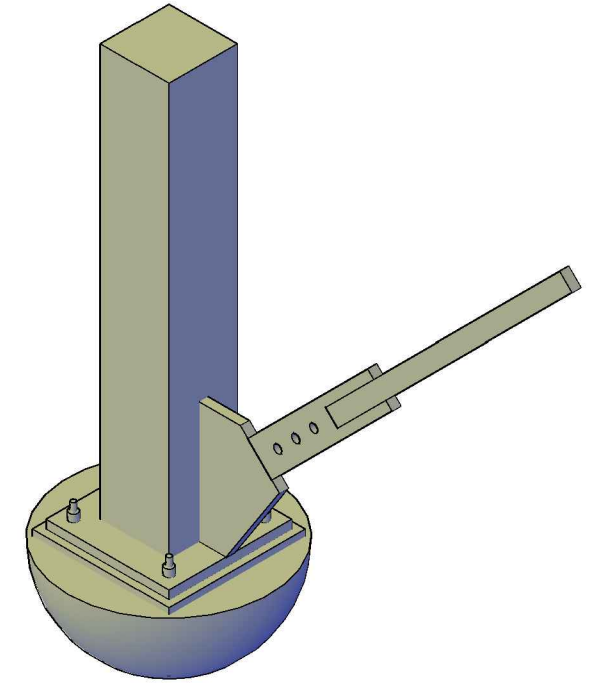
COURSE: ECT 320  
INSTRUCTOR: Dr. Amir  
REVISION: A  
SHEET: 2 OF 4

A

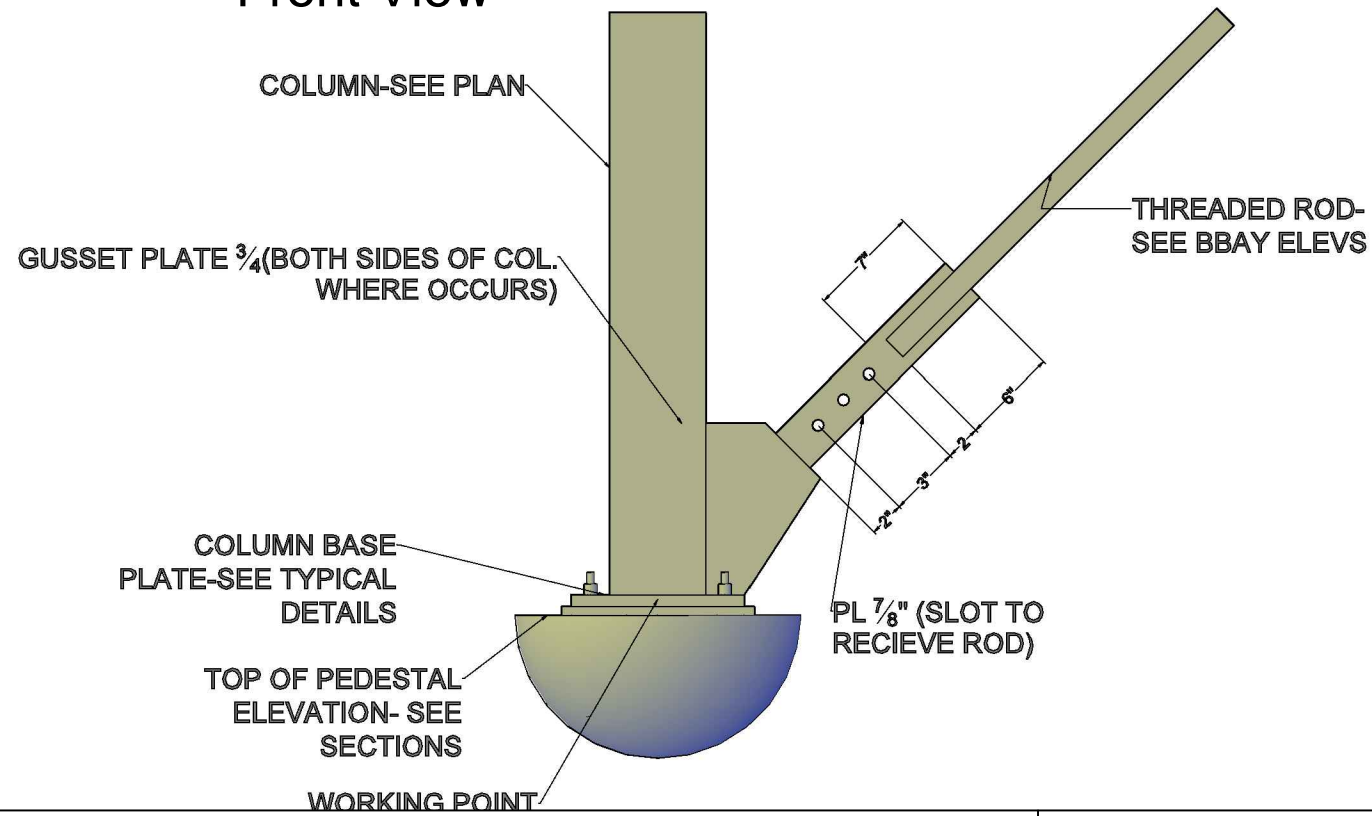
Top View



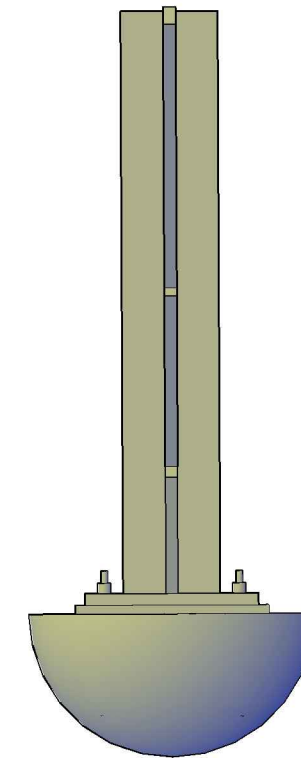
3D View



Front View



End View



PRODUCED BY AN AUTODESK EDUCATIONAL PRODUCT

PRODUCED BY AN AUTODESK EDUCATIONAL PRODUCT

# Digital School

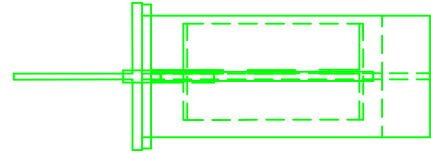
PROJECT: Structural Asg  
 TITLE: Bracing Bay

DRAWN BY: David Tang  
 CHECKED BY: Dr. Amir  
 DATE: 18/01/11  
 SCALE: 1" = 1'-0"

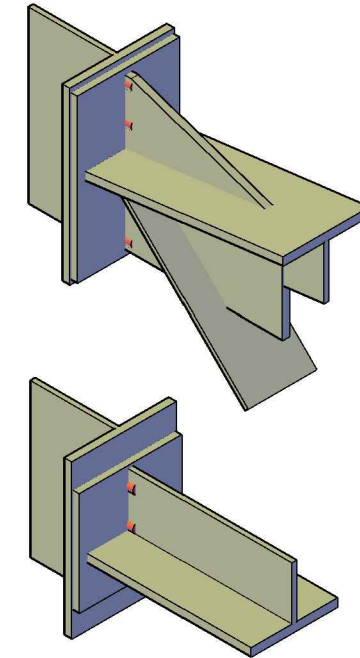
COURSE: ECT 320  
 INSTRUCTOR: Dr. Amir  
 REVISION: A  
 SHEET: 3 OF 4

A

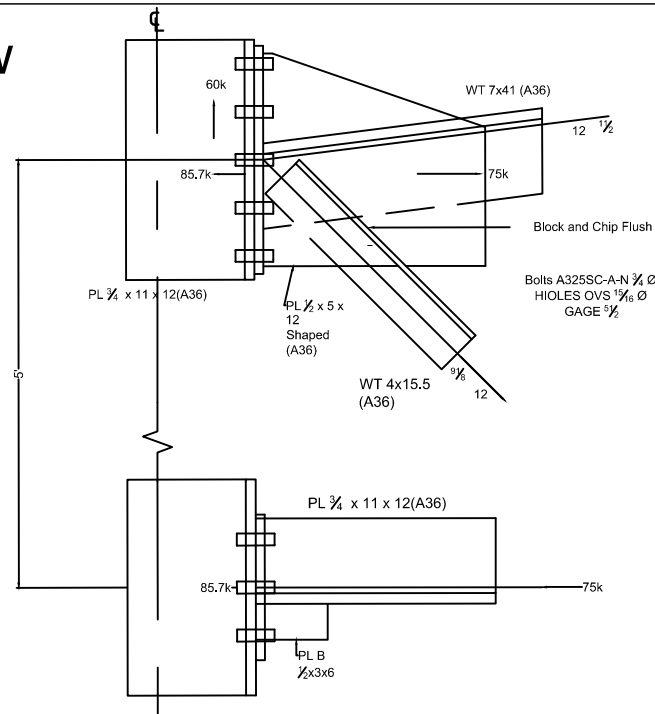
Top View



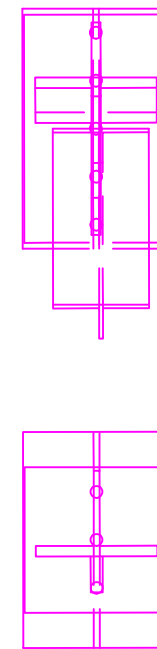
3D View



Front View



End View



PRODUCED BY AN AUTODESK EDUCATIONAL PRODUCT

PRODUCED BY AN AUTODESK EDUCATIONAL PRODUCT

Digital School

PROJECT: Structural Asg  
TITLE: Truss-to-column

DRAWN BY: David Tang  
CHECKED BY: Dr. Amir  
DATE: 18/01/11  
SCALE: 3/4" = 1'-0"

COURSE: ECT 320  
INSTRUCTOR: Dr. Amir  
REVISION: A  
SHEET: 4 OF 4

A