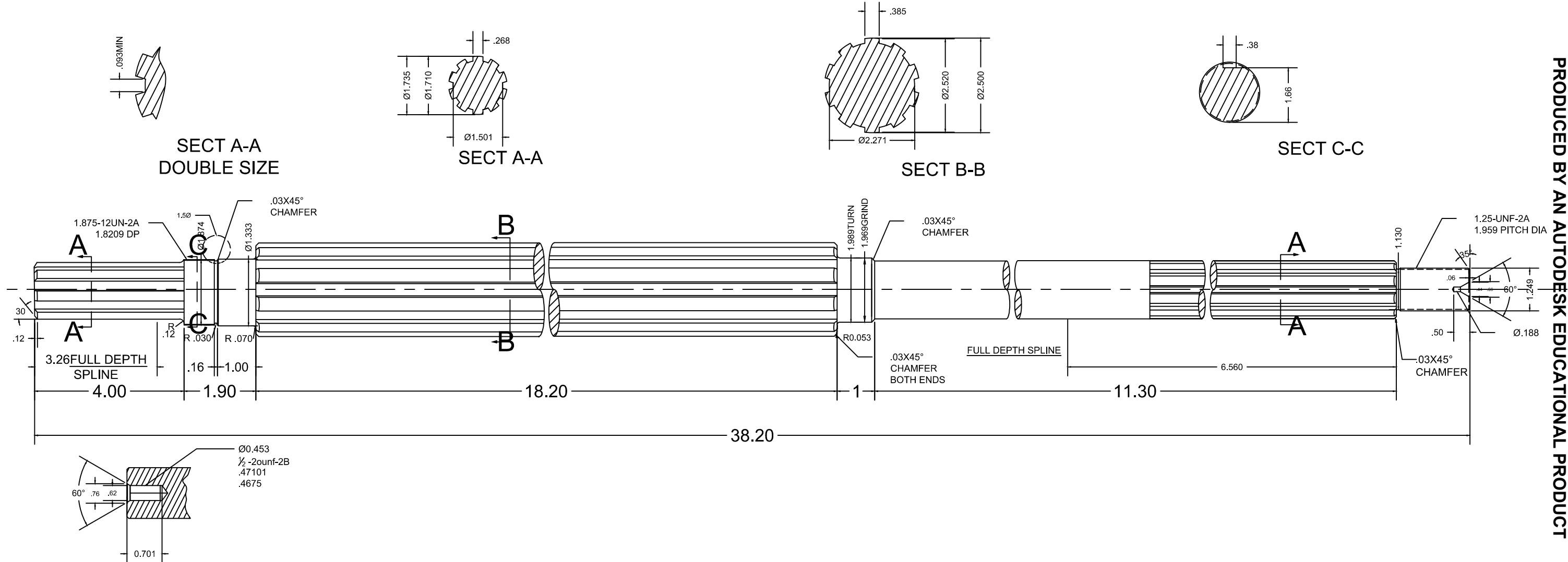


PRODUCED BY AN AUTODESK EDUCATIONAL PRODUCT

PRODUCED BY AN AUTODESK EDUCATIONAL PRODUCT



Digital School

PROJECT:	Asg #1	DRAWN BY: David Tang	COURSE: Mechanical Drawing
	TITLE: Upper Transmission shaft	CHECKED BY: Muhib	INSTRUCTOR: Muhib
DATE: 01/11/10		REVISION: .	
SCALE: 1:2		SHEET: 1 OF 1	