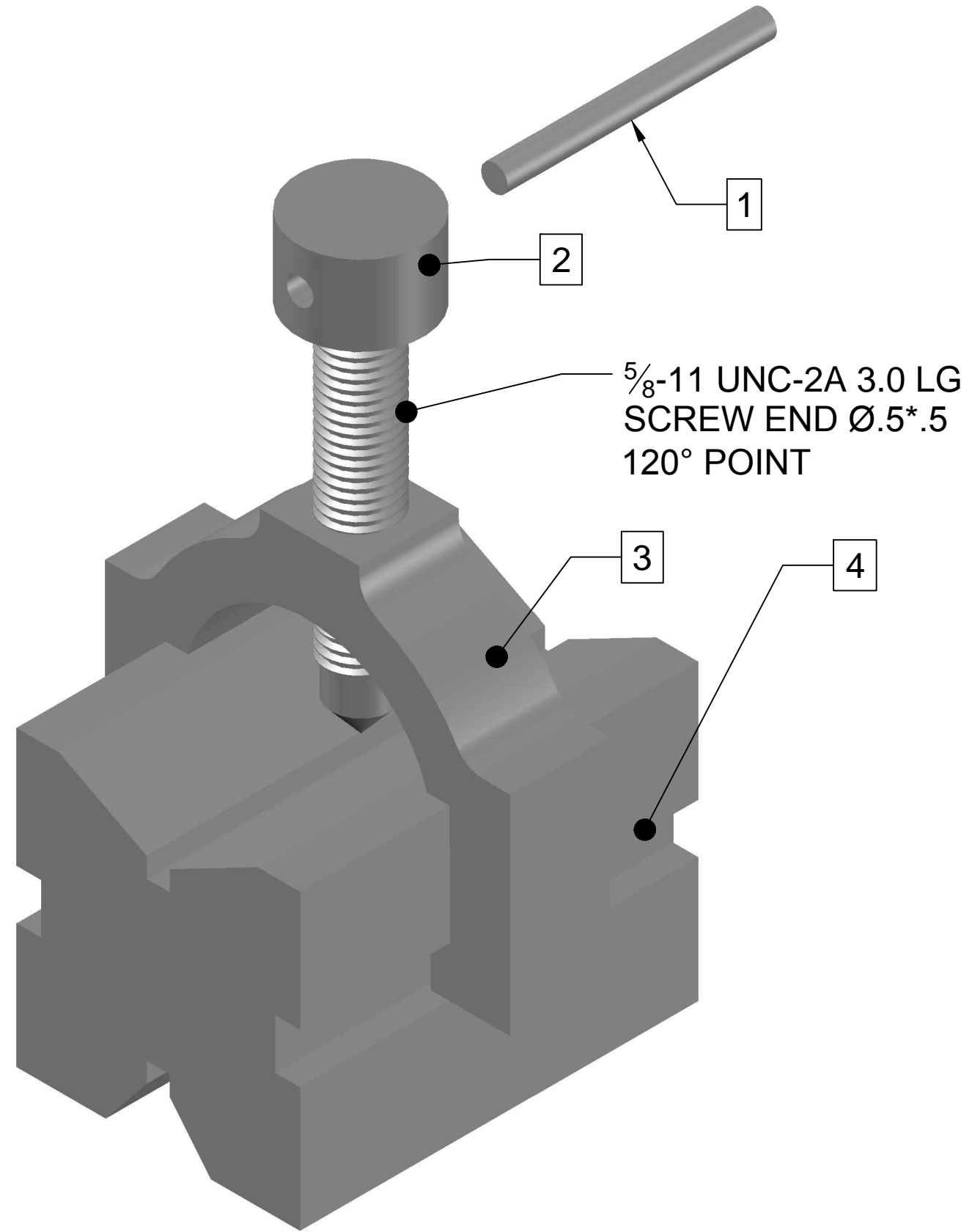


Material List

PART NO.	PART	MATERIAL	AMT
1	HANDLE	1025 STEEL	1
2	ADJ SCREW	1125 STEEL	1
3	CLAMP	CAST STEEL	1
4	BASE	1025 STEEL	1



PRODUCED BY AN AUTODESK EDUCATIONAL PRODUCT

PRODUCED BY AN AUTODESK EDUCATIONAL PRODUCT

Digital School

PROJECT:
3D Model of PipeClamp
TITLE:
Asg # 2

DRAWN BY: David Tang
CHECKED BY: Dr. Muhib R.
DATE: 11/12/10
SCALE: 1:1

COURSE: ECT 310
INSTRUCTOR: Dr. Muhib R.
REVISION: .
SHEET: 1 OF 1